

## SAFETY

- DO NOT MODIFY OR ALTER YOUR AIRSOFT GUN. Attempts to modify the airsoft gun in way may make your airsoft gun unsafe to use, cause serious injury or death and will void the warranty.
- Always check to see if the airsoft gun is "ON SAFE" and unloaded when getting it from another person or from storage.
- Always keep the airsoft gun "ON SAFE" until you are ready to shoot in a SAFE DIRECTION.
- Misuse or careless use may cause serious injury.
- Do not look into the gun muzzle.
- Do not ever point the airsoft gun at anything you do not intend to shoot.
- You and other with you should always wear shooting glasses to protect your eyes.
- If your reading or prescription glasses are not safety glasses, make sure you wear shooting glasses over your regular glasses.
- Do not put the airsoft gun away loaded. Make sure ALL of the plastic BBs are unloaded from the airsoft gun.
- Do not shoot at hard surfaces or at the surface of water. The plastic BBs may bounce off or ricochet and hit someone or something you had not intended to hit. If the plastic BBs should happen to hit a hard surface, do not reuse those plastic BBs because they could cause possible damage to your airsoft gun.
- Use 6 mm plastic BBs only.
- Always put the airsoft gun in a case or bag when you carrying it.
- Always store this airsoft gun in a secure location and at the places out of reach by children.
- Always treat the airsoft gun as though it is loaded and with the same respect you would a firearm.
- Using unauthorized repair centers or modifying the function of your airsoft gun in any way may be unsafe and will void your warranty.
- We are not responsible for any malfunction, accidents, injuries or repair cost resulting from misuse, or by disassembly and modification of the airsoft gun.



USER RESTRICTED TO 18 YEARS OF AGE OR OLDER

# ARES GL-06/07



Automatic Electric Airsoft Gun Instruction Manual • Always read through this manual before operation



THE REPLACEMENT PARTS WILL BE AVAILABLE AT OURS LOCAL DISTRIBUTOR AND DEALERS



Manufacturer & Brand Owner : Forever Good (Hong Kong) Ltd.



**SHOOTER**

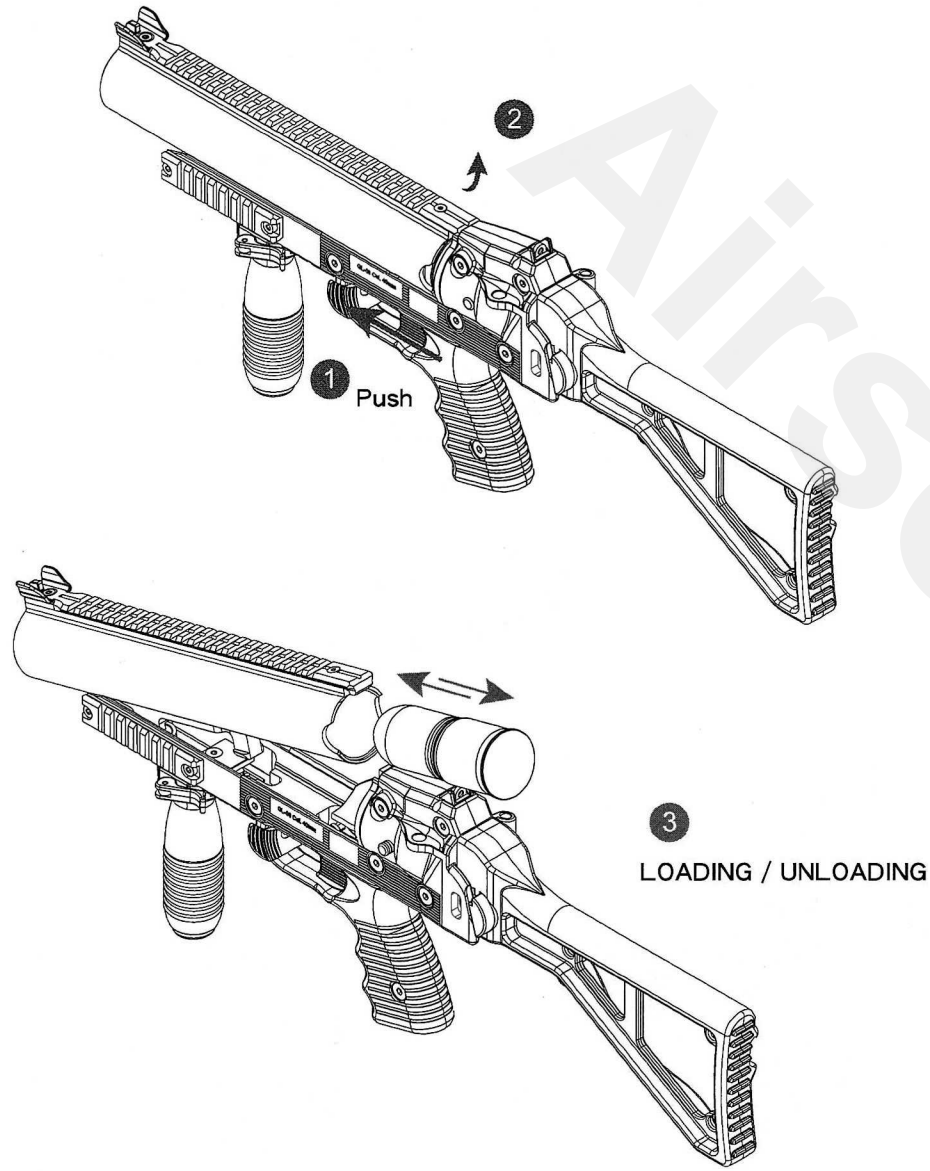


Ares Website: <http://www.aresairsoft.com>  
General Enquiries: [ares@aresairsoft.com](mailto:ares@aresairsoft.com)  
Dealer Enquiries: [sales@aresairsoft.com](mailto:sales@aresairsoft.com)

© Ares 2012, all rights reserved

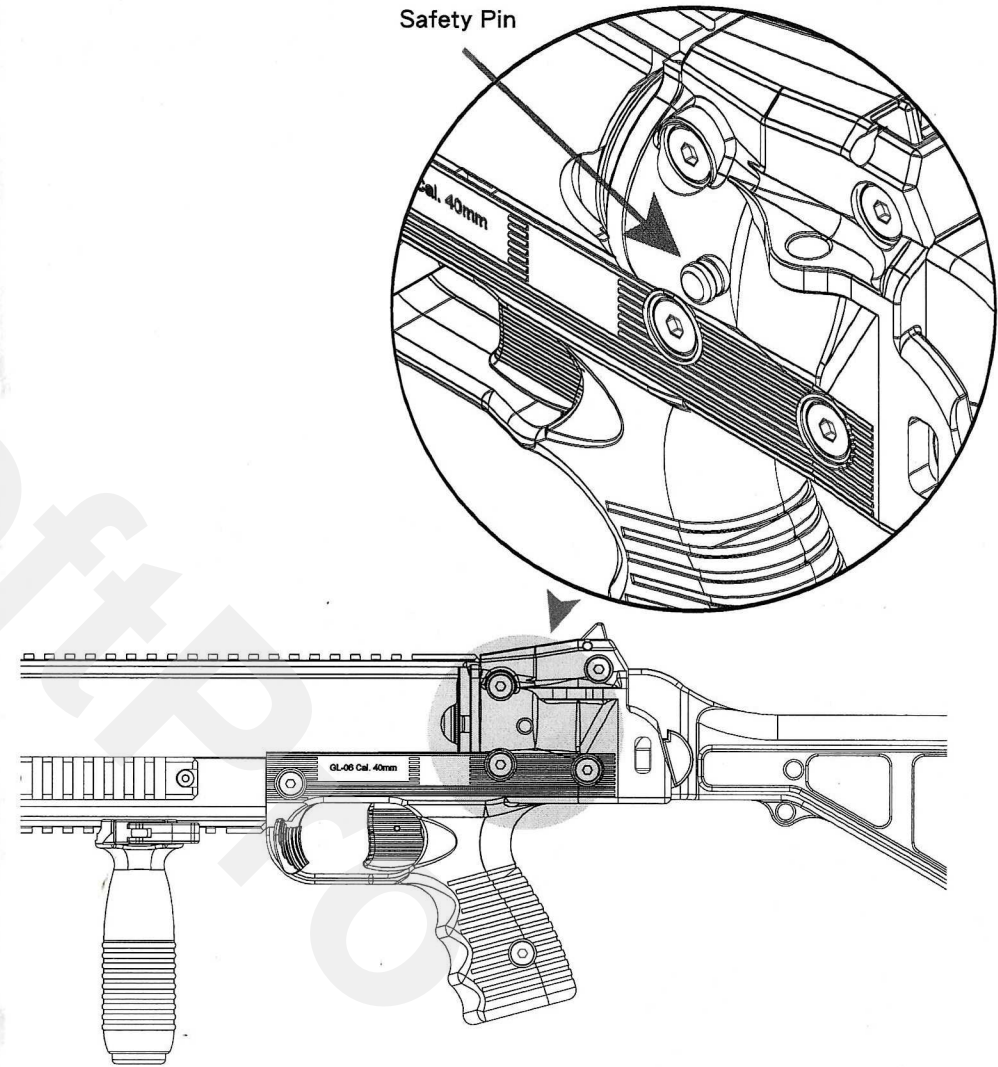
## OPEN BARREL FOR GRENADE LOAD

To open the barrel for grenade loading please press the release bottom.  
Load the grenade and close the barrel again.



## SAFETY "ON" AND "OFF"

Press the safety pin to turn safety "on" and "off"

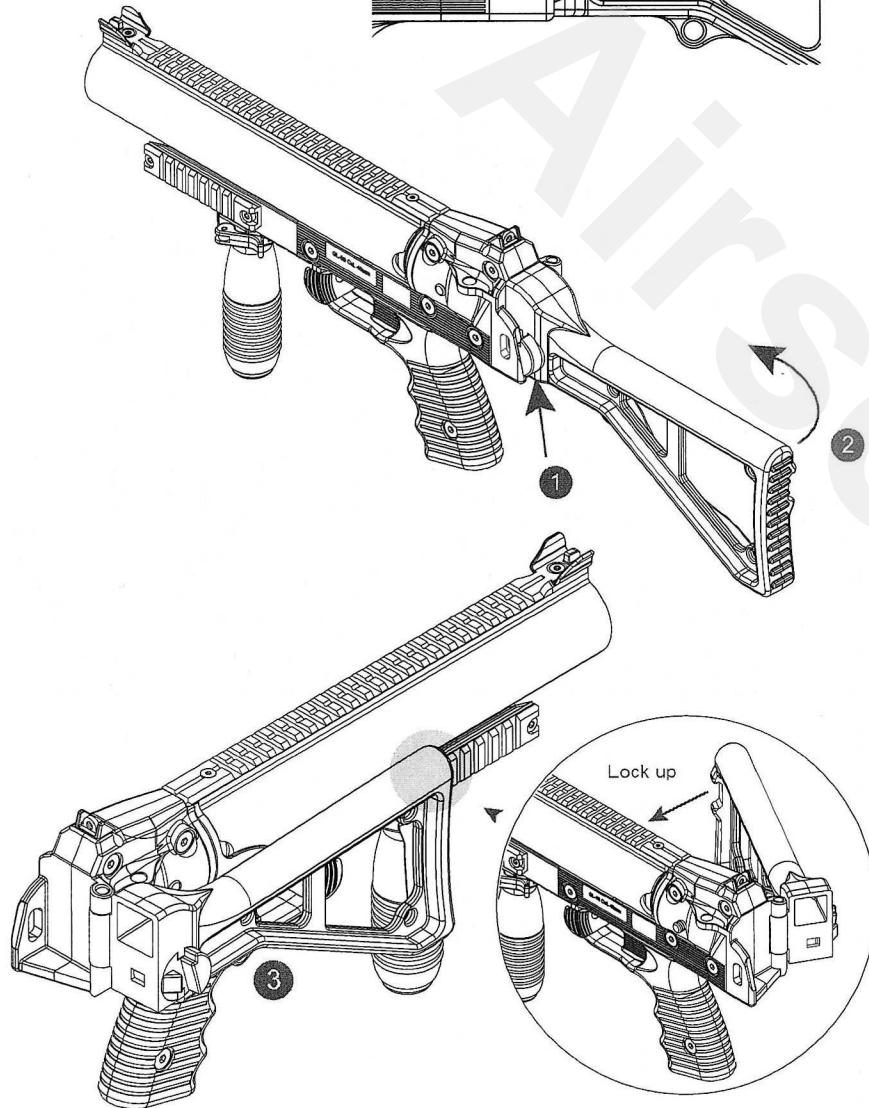
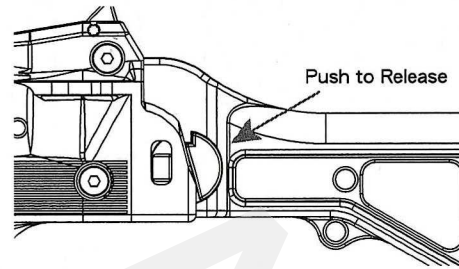




# FOLDING STOCK

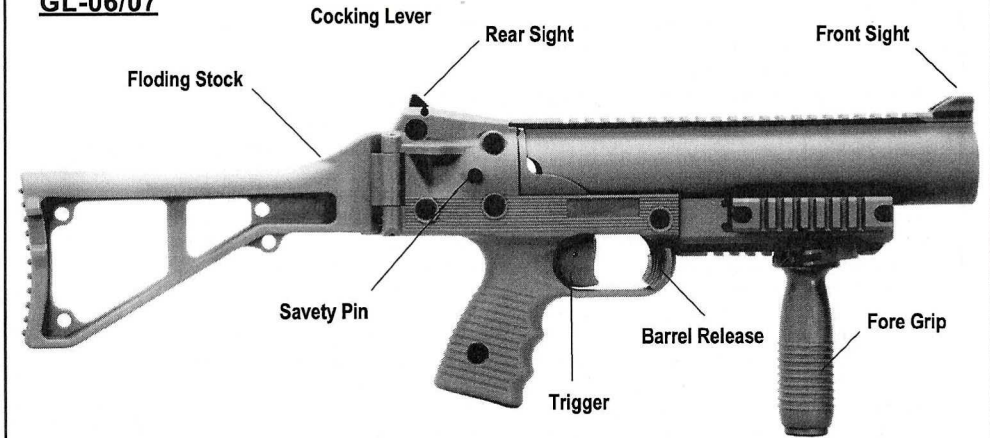
Press the release bottom on pic.

1. To fold the stock as shown on pic.
2. Just pull the stock to unfold it.



## DATA OF ARES GL-06/07

### GL-06/07



### FEATURES

- Al Alloy CNC Barrel
- Removable Fore Grip
- Barrel Release Catch
- Safety Pin
- Trigger
- Solid Folding Stock

<b>GAS POWER:</b>	134a standard (optional CO2)
<b>CAPACITY:</b>	40mm Gas/CO2 Grenade
<b>MODE:</b>	Break Down Single Shot
<b>MATERIAL:</b>	Nylon Fiber + Al. Alloy
<b>LENGTH:</b>	590 / 385mm
<b>WEIGHT:</b>	2200g
<b>VELOCITY:</b>	350-380 FPS



FOR MORE DETAIL INFORMATION PLEASE VISIT OUR WEBSITE

# ARES GL-06/07

